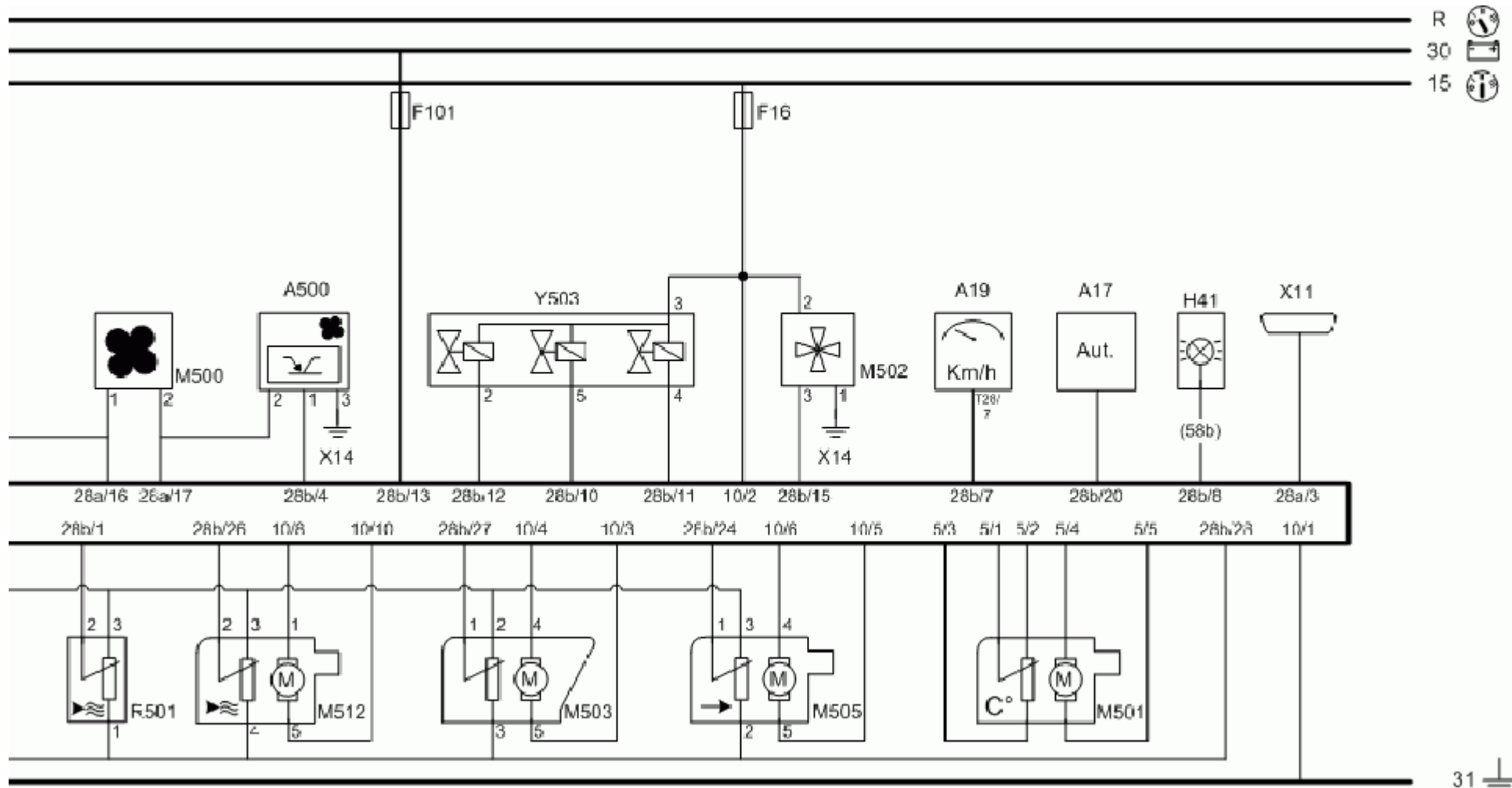


Volkswagen Golf III 1,9 TDI Golf III [1992 - 2002]



.A500	Contr. mod. for pass. compart. heater blower motor
.A503	Control module for cooling ventilator
.A515	Control module for climate control unit
.B500	Sun sensor
.B501	Temperature sensor for intake air
.B512	Temperature sensor dashboard
.B514	Outside temperature sensor
.B522	Temp. sensor by pass. compartm. heater blower
.M500	Passenger compartment heater blower
.M501	Servo motor for temperature mixing flap
.M502	Micro blower for temperature sensor
.M503	Servo motor for dynamic pressure flap
.M505	Servo motor for central flap
.M512	Servo motor for central vent
.R501	Regulator for central vent
.S501	Thermo-switch for cooling ventilator
.S502	Dual high-pressure switch
.S517	Thermo-switch for cooling ventilator step 3
.Y500	Solenoid clutch
.Y503	Valve box for flap control
A17	Automatic transmission
A19	Speedometer
A54	ECU
H41	Parking lights
M18	Cooling fan
R11	Resistor
X14	Ground connection
X24	Cable joint
X42	Diagnostic connector